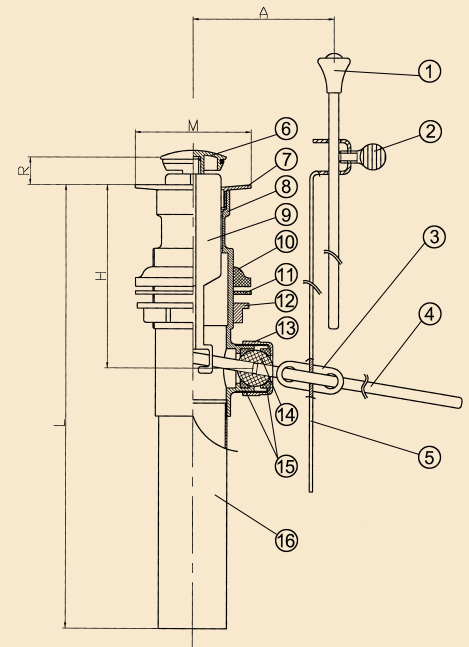


**POP UP ASSEMBLY**

## BRASS POP UP ASSEMBLY

- Cast Brass Body
- TEI Listed
- 1-1/4" Tailpiece
- Forged Brass Stopper
- Sealed Tailpiece and Ball Rod
- CP Flange, Plunger, and Controll Rod
- Rough Brass Body

| No. | Part      | Materials Specification            |
|-----|-----------|------------------------------------|
| ①   | Lift Rod  | Brass ASTM B-584, C37700           |
| ②   | Screw     | Zinc Plated Steel                  |
| ③   | Clip      | Stainless Steel                    |
| ④   | Ball Rod  | CP Steel                           |
| ⑤   | Strap     | Zinc Plated Steel                  |
| ⑥   | Stopper   | CP Forged Brass ASTM B-124, C37700 |
| ⑦   | Flange    | CP Forged Brass ASTM B-124, C37700 |
| ⑧   | Body      | Cast Brass ASTM B-584, C85700      |
| ⑨   | Plunger   | Celcon                             |
| ⑩   | Gasket    | Rubber                             |
| ⑪   | Washer    | PE Plastic                         |
| ⑫   | Locknut   | CP Cast Brass ASTM B-584, C85700   |
| ⑬   | Nut       | CP Brass ASTM B-124, C37700        |
| ⑭   | Ball      | Nylon                              |
| ⑮   | Ball Seat | PE Plastic                         |
| ⑯   | Tailpiece | CP Brass                           |



**684 8210 SERIES**  
**BRASS POP UP ASSEMBLY**

| Fig. #   | Weight | Box/Case | Configuration | L    | H    | R      | M    | A        |
|----------|--------|----------|---------------|------|------|--------|------|----------|
| 684 8211 | 0.97   | 1/50     | With Overflow | 9.45 | 7.32 | 0 -.50 | 2.13 | 4.13 - 7 |
| 684 8212 | 1.10   | 1/50     | Less Overflow | 9.45 | 7.32 | 0 -.50 | 2.13 | 4.13 - 7 |

