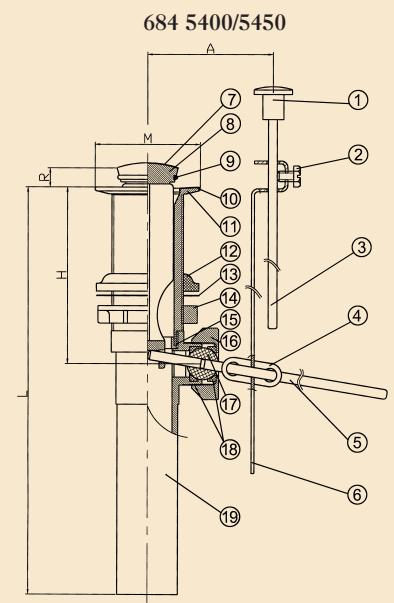
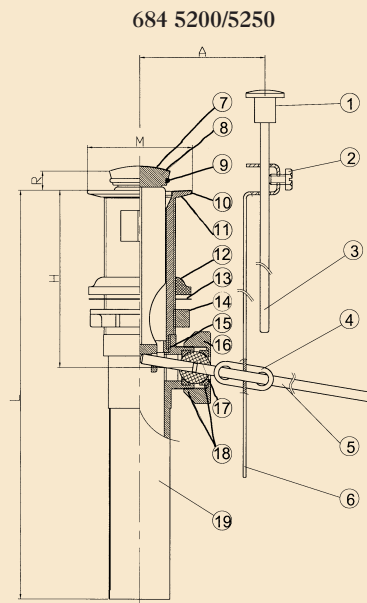


POP UP ASSEMBLY

ABS TWO-IN-ONE POP UP ASSEMBLY

- Center Separation for Easy Installation
- ISO 9002 Manufacturer
- TEI Listed
- 1-1/4" Tailpiece

No.	Part	Materials Specification
①	Lift Rod Knob	CP ABS
②	Screw	Zinc Plated Steel
③	Lift Rod	CP Steel
④	Clip	Stainless Steel
⑤	Ball Rod	CP Steel
⑥	Strap	Zinc Plated Steel
⑦	Stopper Cap	ABS with Stainless Steel Rim
⑧	Stopper	ABS
⑨	O Ring	Rubber
⑩	Flange Cap	ABS with Stainless Steel Rim
⑪	Flange	ABS
⑫	Gasket	Rubber
⑬	Washer	PE Plastic
⑭	Locknut	ABS
⑮	Gasket	PE Plastic
⑯	Nut	ABS
⑰	Ball	Nylon
⑱	Ball Seat	PE Plastic
⑲	Body	ABS



684 5000 SERIES

ABS 2 IN 1 POP UP

Fig. #	Weight	Box/Case	Configuration	Body	L	H	R	M	A
684 5200	0.53	1/50	With Overflow	Plain	9.45	7.32	0-.5	2.13	4.13-7
684 5250	0.53	1/50	With Overflow	Chrome Plated	9.45	7.32	0-.5	2.13	4.13-7
684 5400	0.54	1/50	Less Overflow	Plain	9.45	7.32	0-.5	2.13	4.13-7
684 5450	0.54	1/50	Less Overflow	Chrome Plated	9.45	7.32	0-.5	2.13	4.13-7

