

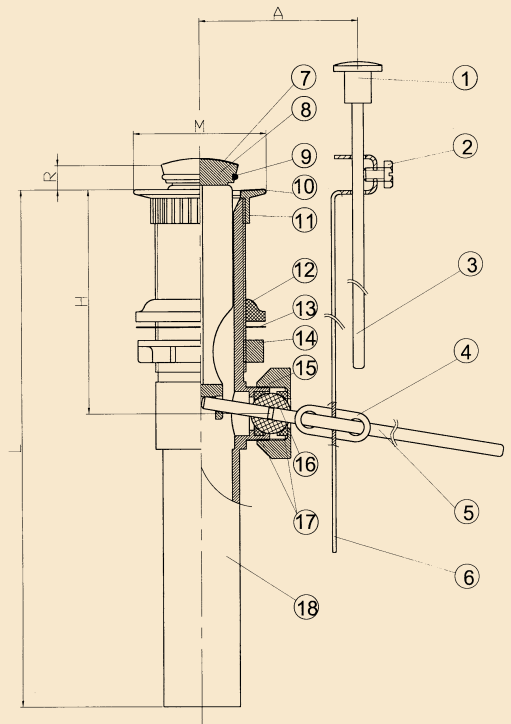
POP UP ASSEMBLY

POLISH BRASS ABS POP UP ASSEMBLY

- ABS Body
- TEI Listed
- 1-1/4" Tailpiece

- Sealed Ball Rod
- One Piece Construction
- ISO 9002 Manufacturer

No.	Part	Materials Specification
①	Lift Rod Knob	Polished Brass ABS
②	Screw	Zinc Plated Steel
③	Lift Rod	Polished Brass Steel
④	Clip	Stainless Steel
⑤	Ball Rod	CP Steel
⑥	Strap	Zinc Plated Steel
⑦	Stopper Cap	ABS with Polished Brass Rim
⑧	Stopper	ABS
⑨	O Ring	Rubber
⑩	Flange Cap	ABS with Polish Brass Rim
⑪	Flange	ABS
⑫	Gasket	Rubber
⑬	Washer	PE Plastic
⑭	Locknut	ABS
⑮	Nut	ABS
⑯	Ball	Nylon
⑰	Ball Seal	PE Plastic
⑱	Body	ABS



684 1000 SERIES

POLISH BRASS ABS POP UP ASSEMBLY

Fig. #	Weight	Box/Case	Configuration	L	H	R	M	A
684 1000PB	0.51	1/50	With Overflow	9.45	7.32	0 -.50	2.13	4.13 - 7
684 1100PB	0.52	1/50	Less Overflow	9.45	7.32	0 -.50	2.13	4.13 - 7

