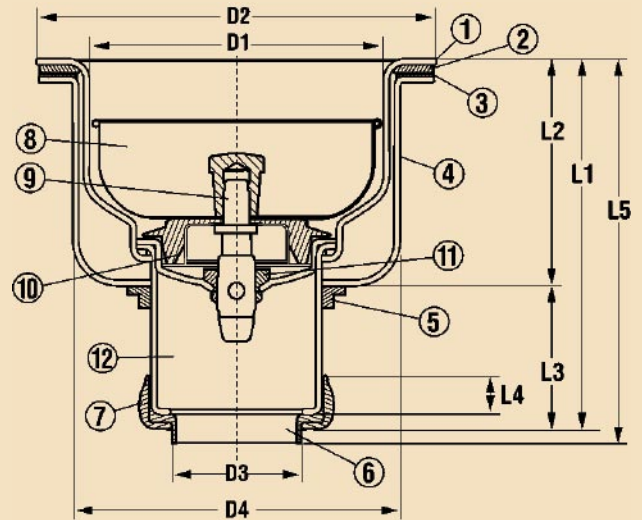


## BASKET STRAINERS

# SNAP-LOCK STRAINER

- TEI Listed
- Type 304 Stainless Steel
- Dual Cup Construction
- High Polished Rim
- Individually Boxed
- Chrome Plated Brass Post w/Stainless Steel Ball
- Spring Loaded Ball Closure with Positive Seal
- Brass Tail Piece Nut

No.	Part	Materials Specification
①	Body	Stainless Steel 304 0.6mm
②	Washer	Rubber 3.0mm
③	Washer	Paper
④	Cup	Galvanized Steel
⑤	Lock Nut	Zinc
⑥	Tailpiece Washer	PE
⑦	Tailpiece Nut	Brass
⑧	Basket	Stainless Steel 304 0.4mm
⑨	Post	Stainless Steel
⑩	Stopper	Rubber
⑪	Bushing	CP Brass
⑫	Shank	CP Brass



### 683 8475DLXE

#### STAINLESS STEEL DOUBLE CUP STRAINER WITH SNAP LOCK BASKET

Size	Fig. #	Weight	Box/Case	D1	D2	D3	D4	L1	L2	L3	L4	L5
4-1/2"	683 8475	0.87	1/50	3.19	4.40	1.33	3.48	3.57	2.04	1.53	0.50	3.98

