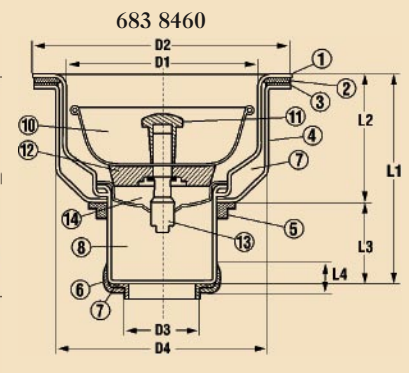
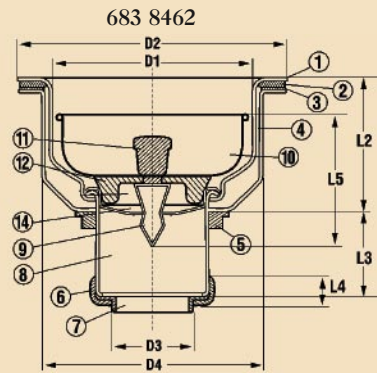


BASKET STRAINERS

DOUBLE CUP BASKET STRAINER

- TEI Listed
- Type 304 Stainless Steel (683 8462)
- Type 430 Stainless Steel (683 8460)

No.	Part	Materials Specification
①	Body	Stainless Steel, 304 (683 8462), 430 (683 8460)
②	Washer	Rubber 3.0 mm
③	Washer	Paper
④	Cup	Galvanized Steel
⑤	Lock Nut	Zinc
⑥	Tailpiece Nut	Zinc
⑦	Tailpiece Washer	PE
⑧	Shank	Stainless Steel
⑨	Clip	Stainless Steel 301
⑩	Basket	Stainless Steel 430 0.4mm
⑪	Knob	Stainless Steel 304
⑫	Stopper	Rubber
⑬	Post	CP Plastic
⑭	Inner Grid	Stainless Steel 430



683 8460 430 STAINLESS STEEL DOUBLE CUP BASKET STRAINER - LONG SHANK												
Size	Fig. #	Weight	Box/Case	D1	D2	D3	D4	L1	L2	L3	L4	
4-1/2"	683 8460	0.75	1/50	3.18	4.40	1.33	3.50	3.57	1.98	1.59	0.50	

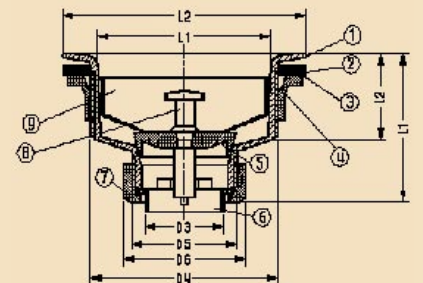
683 8462 304 STAINLESS STEEL DOUBLE CUP SNAP-IN BASKET STRAINER - LONG SHANK												
Size	Fig. #	Weight	Box/Case	D1	D2	D3	D4	L1	L2	L3	L4	L5
4-1/2"	683 8462	0.69	1/50	3.18	4.40	1.33	3.39	3.11	1.81	1.30	0.50	2.09



POLYPROPYLENE BASKET STRAINER

- 1-1/2" NPSM 11-1/2 Threads
- Stainless Steel Wrap on Flange (Except White)
- Approved by Terra Labs
- 683 843205 - Retail Pack w/Tailpiece Nut and Washer

No.	Part	Materials Specification
①	Body	Polypropylene
②	Gasket	Rubber
③	Gasket	Paper
④	Locknut	Polypropylene
⑤	Basket Washer	Rubber
⑥	Tailpiece Washer	PE
⑦	Tailpiece Nut	ABS
⑧	Post	CP ABS (683 843202) / Polypropylene (683 843202W)
⑨	Cup	S/S (683 843202) / Polypropylene (683 843202W)



683 8432 SERIES POLYPROPYLENE BASKET STRAINER											
Size	Fig. #	Weight	Box/Case	D1	D2	D3	D4	D5	L1	L2	
4-1/2"	683 843202	0.38	1/50	3.11	4.34	1.38	3.32	1.87	2.43	1.40	
4-1/2"	683 843205	0.38	1/50	3.11	4.34	1.38	3.32	1.87	2.43	1.40	
4-1/2"	683 843202W	0.38	1/50	3.11	4.34	1.38	3.32	1.87	2.43	1.40	

