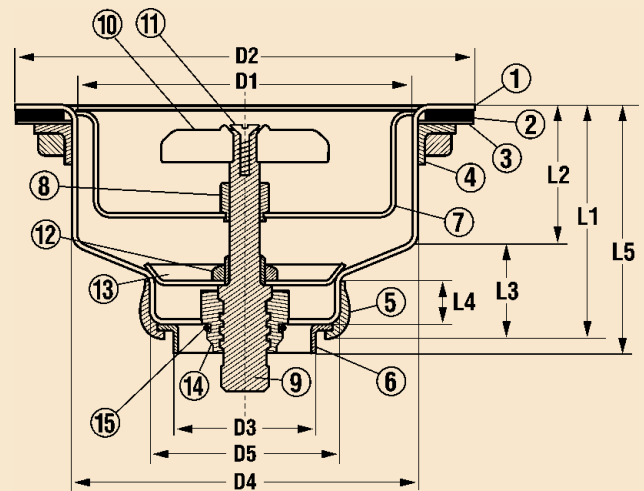


### BASKET STRAINERS

# SPIN AND SEAL STRAINER

- TEI Listed
- Type 304 Stainless Steel (683 8455)
- Type 430 Stainless Steel (683 8450, 683 8457)
- Individually Boxed
- Chrome Plated Brass Twist Handle
- Rust Proof Stainless Steel Screw

No.	Part	Materials Specification
①	Body	Stainless Steel 430 - Fig # 683 8450 1.2 mm
①	Body	Stainless Steel 304 - Fig # 683 8455 1.2 mm
②	Washer	Rubber 3.0 mm
③	Washer	Paper
④	Lock Nut	Zinc / Brass 683 8457
⑤	Tailpiece Nut	Zinc / Brass 683 8457
⑥	Tailpiece Washer	PE
⑦	Basket	Stainless Steel 430 - Fig # 683 8450 .4 mm
⑦	Basket	Stainless Steel 304 - Fig # 683 8455 .4 mm
⑧	Basket Bushing	CP Brass
⑨	Post	CP Brass
⑩	Handle	CP Brass
⑪	Screw	Stainless Steel
⑫	Hex Nut	CP Brass
⑬	Stopper	Stainless Steel
⑭	Body Bushing	CP Brass
⑮	C Ring	Stainless Steel



## 683 8450 SERIES

### STAINLESS STEEL SPIN AND SEAL BASKET STRAINER

Size	Fig. #	Weight	Box/Case	D1	D2	D3	D4	D5	L1	L2	L3	L4	L5
4-1/2"	683 8450	0.81	1/50	3.35	4.40	1.33	3.32	1.82	2.56	1.45	1.11	0.50	2.60
4-1/2"	683 8455	0.87	1/50	3.35	4.40	1.33	3.32	1.82	2.56	1.45	1.11	0.50	2.60
4-1/2"	683 8457	0.91	1/50	3.35	4.40	1.33	3.32	1.82	2.56	1.45	1.11	0.50	2.60

