

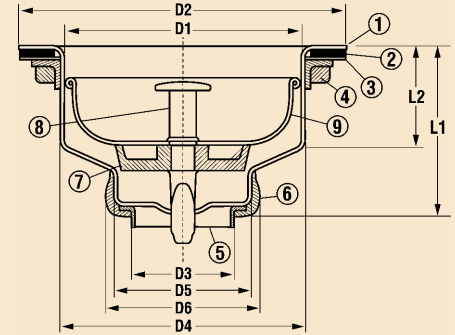
### BASKET STRAINERS

# STAINLESS STEEL BASKET STRAINER

- Individually Boxed
- Stainless Steel Body

- Snap in Basket (683 8422DLXE)
- Approved by Terra Labs

No.	Part	Materials Specification
①	Body	Stainless Steel 413 1.0mm
②	Washer	Rubber 3.0mm
③	Washer	Paper
④	Lock Nut	Zinc Die Cast (683 8422) Brass (683 8427)
⑤	Tailpiece Washer	PE
⑥	Tailpiece Nut	Zinc (683 8422) Brass (683 8427)
⑦	Stopper	Rubber
⑧	Post	CP Plastic
⑨	Basket	Stainless Steel .4mm



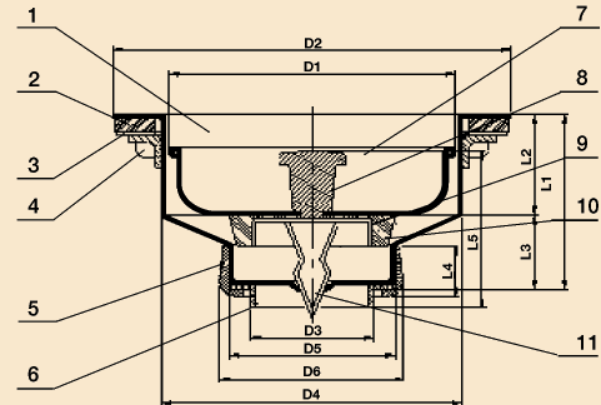
### 683 8422, 683 8427

#### STAINLESS STEEL BASKET STRAINER

Size	Fig. #	Weight	Box/Case	D1	D2	D3	D4	D5	L1	L2
4-1/2"	683 8422	0.61	1/50	3.17	4.39	1.33	3.32	1.82	2.07	1.45
4-1/2"	683 8427	0.65	1/50	3.17	4.39	1.33	3.32	1.82	2.07	1.45



No.	Part	Materials Specification
①	Body	Stainless Steel 304 1.2mm
②	Washer	Rubber 3.0mm
②	Washer	Paper
④	Lock Nut	Zinc
⑤	Tailpiece Nut	Zinc
⑥	Tailpiece Washer	PE
⑦	Basket	Stainless Steel 304 0.4mm
⑧	Knob	Stainless Steel 304
⑨	Inner Grid	Stainless Steel 430
⑩	Stopper	Rubber
⑪	Clip	Stainless Steel 301



### 683 8422DLXE

#### STAINLESS STEEL SNAP-IN BASKET STRAINER

Size	Fig. #	Weight	Box/Case	D1	D2	D3	D4	D5	L1	L2	L3	L4	L5
4-1/2"	684 8422DLXE	0.67	1/50	3.17	4.40	1.33	3.36	1.82	2.37	1.45	0.90	0.56	2.09

