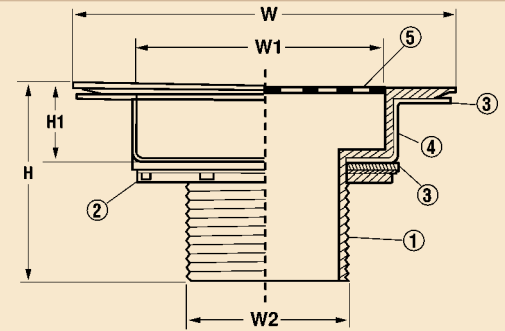


SHOWER DRAINS

DIE CAST ZINC SHOWER DRAIN

- 4" Shower Drain w/1-1/2" Connection
- Stainless Steel Grid
- TEI Listed
- 1-1/2" NPSM Threads
- 11-1/2 Threads per inch

No.	Part	Materials Specification
①	Body	CP Zinc
②	Locknut	Zinc
③	Washer	Rubber
④	Bottom Plate	Iron
⑤	Grid	Stainless Steel



347 8224

DIE CAST ZINC SHOWER DRAIN

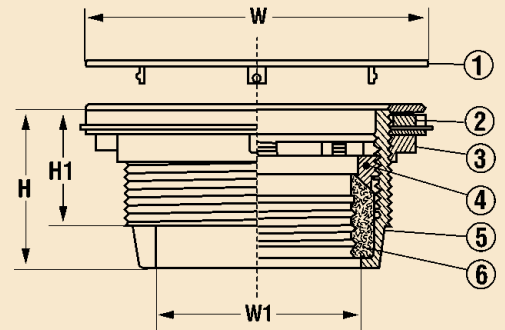
Size	Fig. #	Weight	Box/Case	W	W1	W2	H	H2
4-1/2"	347 8224	0.75	1/50	4.25	2.59	1.84	2.01	0.72



QUICK CAULK SHOWER DRAIN

- Quick Caulk Type Connection
- Rubber Inserts
- For 2" Pipe
- Standard 4" Size

No.	Part	Materials Specification
①	Snap in Grid	Stainless Steel / PVC
②	Washer	Neoprene Rubber
③	Lock Nut	Brass ASTM C85400 / PVC
④	Seal Nut	Brass ASTM C85400 / PVC
⑤	Body	Brass ASTM C85400 / PVC
⑥	Insert	Neoprene Rubber



347 950 SERIES

QUICK CAULK SHOWER DRAIN

Size	Fig. #	Weight	Box/Case	W	W1	H	H1	Body	Grid
4-1/2"	347 950	1.50	1/40	4.25	2.52	1.95	1.47	Brass	S/S
4-1/2"	347 955	0.31	1/50	4.25	2.39	2.20	1.43	PVC	PVC
4-1/2"	347 957	0.37	1/50	4.25	2.39	2.20	1.43	PVC	S/S

