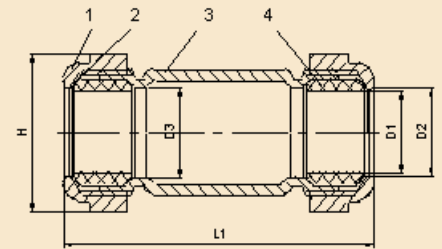


PLUMBING ACCESSORIES

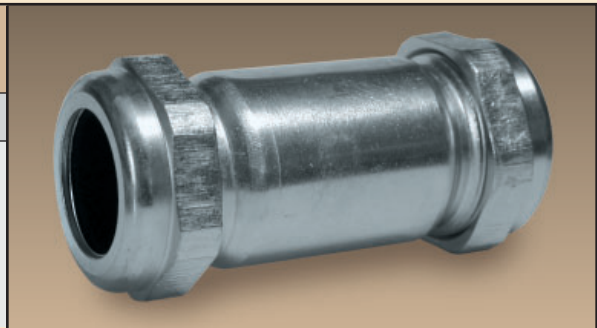
GALVANIZED COMPRESSION COUPLING

- Iron Pipe Sizes
- Seamless Steel Body and Nut
- Rated 125 PSI at up to 210 deg (F)
- Zinc Plated Surface Finish
- Long Pattern

No.	Part	Materials Specification
①	Nut	Zinc Plated Forged Steel (1/2" - 1")
	Nut	Zinc Plated Iron (1-1/4" - 2")
②	Washer	Zinc Plated Iron
③	Body	Zinc Plated Seamless Steel
④	Gasket	Rubber (NBR)



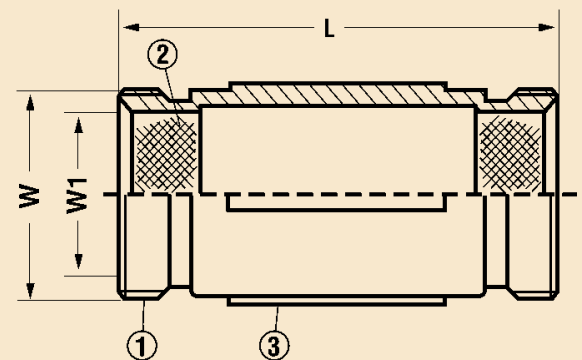
294 8200 SERIES GALVANIZED COMPRESSION COUPLING								
Size	Fig. #	Weight	Box/Case	H1	L1	D1	D2	D3
1/2"	294 8200	0.64	12/72	1.73	4.02	0.84	0.90	0.90
3/4"	294 8212	0.81	12/48	1.95	4.02	1.05	1.11	1.11
1"	294 8214	1.13	12/48	2.24	4.13	1.31	1.37	1.37
1-1/4"	294 8216	1.66	6/36	2.80	4.92	1.66	1.72	1.72
1-1/2"	294 8218	2.02	6/24	3.07	4.92	1.90	1.96	1.96
2"	294 8220	2.66	6/18	3.50	5.31	2.38	2.44	2.44



BRASS COMPRESSION COUPLING

- Iron Pipe Sizes
- Rated 125 PSI at up to 210 deg (F)
- Long Pattern

No.	Part	Materials Specification
①	Nut	Brass ASTM C85700
②	Gasket	Rubber NBR
③	Body	Brass ASTM C85700



294 9200 SERIES BRASS COMPRESSION COUPLING						
Size	Fig. #	Weight	Box/Case	W	W1	L
3/8"	294 9200	0.53	24/144	1.18	0.71	4.84
1/2"	294 9212	0.64	12/120	1.41	0.91	4.92
3/4"	294 9214	1.13	12/48	1.77	1.14	5.12
1"	294 9216	1.19	12/48	1.99	1.41	5.16
1-1/4"	294 9218	1.59	12/48	2.36	1.95	5.08
1-1/2"	294 9220	1.86	12/36	2.64	2.47	5.12
2"	294 9222	2.80	12/24	2.78	2.22	5.08

