

SMITH-COOPER INTERNATIONAL

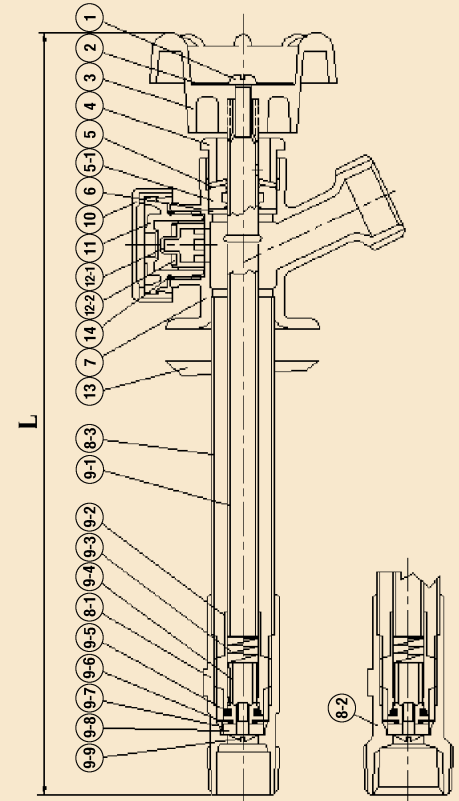
**190 700 Series
190 800 Series**

FROST FREE SILLCOCKS

PREMIUM ANTI-SIPHON FROST FREE SILLCOCK

- Integral Vacuum Breaker
- Chrome Plated Body
- 125 PSI
- UPC/IAPMO Listed
- 3/4" Hose Thread Outlet Comply with ANSI B1.20.7
- Pipe Threads Comply with ANSI B1.20.1
- CSA Approved
- ASSE Listed

No.	Part	Materials Specification
1	Handle Screw	Brass ASTM B134-C27000
2	Name Plate	Aluminum ASTM B209-1100
3	Hand Wheel	Zinc Alloy ASTM B86
4	Stem Gland Screw	Brass ASTM B16-C36000
5	Washer	Stainless Steel 304
5-1	Stem Packing	Rubber Buna -N
6	Stop Washer	Stainless Steel 304
7	Body	Cast Brass ASTM B584-C85700
8-1	ED-Seat	Cast Brass ASTM B584-C85700
8-2	T-Seat	Cast Brass ASTM B584-C85700
8-3	Tube	Brass ASTM B135-C26000
9-1	Stem	Brass ASTM B135-C26000
9-2	Piston	Brass ASTM B16-C36000
9-3	Spring	Stainless Steel 304
9-4	Disc	Brass ASTM B16-C36000
9-5	O-Ring	Rubber Buna -N
9-6	Diaphragm	Rubber NBR
9-7	Packing Holder	Brass ASTM B16-C36000
9-8	Seat Packing	Rubber Buna -N
9-9	Packing Screw	Brass ASTM B134-C27000
10	VB Cover	Plastic PP
11	VB Body	Plastic Celcon
12-1	VB Disc	Plastic Celcon
12-2	VB Packing	Rubber Buna -N
13	Siding Wedge	Plastic Nylon
14	VB O-Ring	Rubber Buna -N



190 700 SERIES

1/2" MIP X 1/2" SOLDER INLET ANTI-SIPHON FROST FREE SILLCOCK

Size	Fig. #	Weight	Box/Case	L (Open)
4"	190 704GG	0.93	2/48	9.26
6"	190 706GG	0.96	2/48	11.27
8"	190 708GG	1.11	2/48	13.28
10"	190 710GG	1.14	2/48	15.29
12"	190 712GG	1.17	2/48	17.30
14"	190 714GG	1.20	2/48	19.31

190 800 SERIES

3/4" MIP X 1/2" FIP INLET ANTI-SIPHON FROST FREE SILLCOCK

Size	Fig. #	Weight	Box/Case	L (Open)
4"	190 804IG	0.96	2/48	9.26
6"	190 806IG	0.98	2/48	11.27
8"	190 808IG	1.14	2/48	13.28
10"	190 810IG	1.18	2/48	15.29
12"	190 812IG	1.20	2/48	17.30
14"	190 814IG	1.24	2/48	19.31

