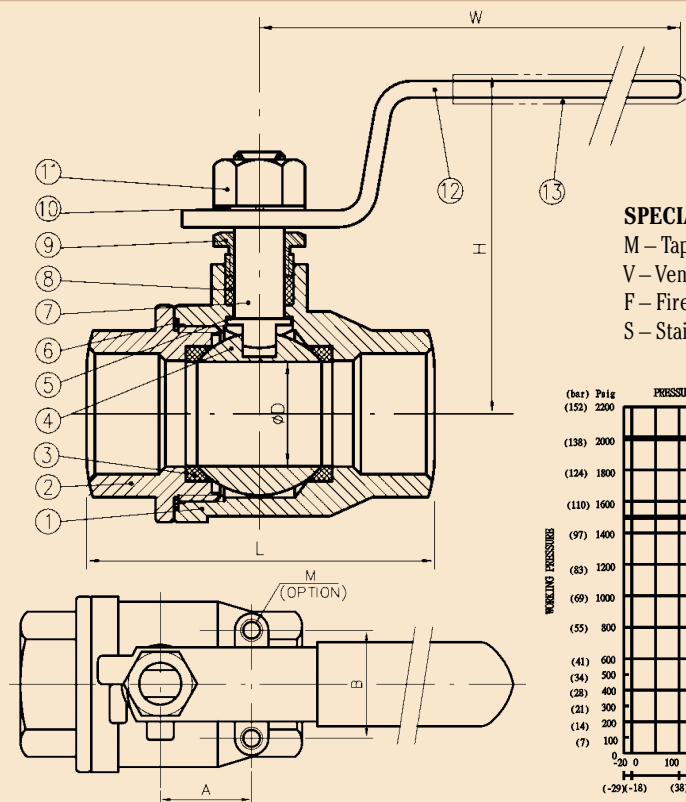


CARBON STEEL BALL VALVE

2-PIECE CARBON STEEL FULL PORT BALL VALVE

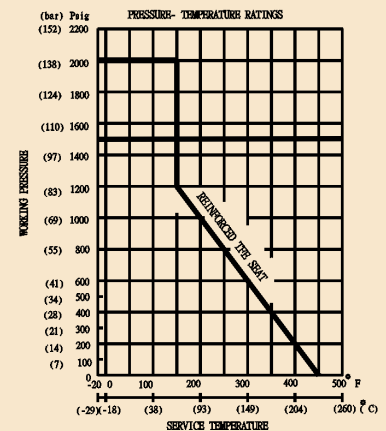
- 2000 PSI (1500 PSI 2-1/2" & 3"), Non-Shock
- Stainless Steel Trim
- Full Port
- Fed. Spec. WW-V-35, Type II, Class C3, Style 3
- MSS SP-110
- ANSI B16.34
- Conforms to NACE MR-01-75
- NPT Threads Conform to ANSI B1.20.1
- Blow Out Proof Stem
- Reinforced TFE Seats
- Adjustable Packing Gland
- Locking Handle
- ISO 9002 Manufacturer

No.	Part	Materials Specification
①	Body	ASTM A216-WCB
②	End Cap	ASTM A216-WCB
③	Seat	Reinforced TFE
④	Ball	ASTM A351-CF8/304
⑤	Thrust Washer	PTFE
⑥	Gasket	PTFE
⑦	Stem	ASTM A276-316
⑧	Stem Packing	PTFE
⑨	Gland	AISI 304
⑩	Handle Washer	AISI 304
⑪	Handle Nut	AISI 304
⑫	Handle	Zinc Plated Steel
⑬	Handle Cover	PVC



SPECIAL ORDER OPTIONS

- M – Tapped Mounting Pad
- V – Vented Ball
- F – Fire Safe Design
- S – Stainless Steel Body



172 2000 SERIES

2-PIECE CARBON STEEL FULL PORT BALL VALVE, THREADED

Size	ØD		L		A		B		H		W		M (Option)	
	in	mm	in	mm	in	mm	in	mm	in	mm	in	mm		
1/4	8	0.43	11	2.32	59	0.50	12.7	1.12	28.5	2.17	55	3.54	90	10-24UNC
3/8	10	0.49	12.5	2.32	59	0.50	12.7	1.12	28.5	2.17	55	3.54	90	10-24UNC
1/2	15	0.59	15	2.44	62	0.50	12.7	1.12	28.5	2.24	57	3.54	90	10-24UNC
3/4	20	0.79	20	2.87	73	0.87	22.1	1.38	35	2.80	71	4.09	104	10-24UNC
1	25	1.00	25.4	3.35	85	0.93	23.6	1.38	35	3.23	82	6.02	153	10-24UNC
1-1/4	32	1.26	32	3.86	98	0.93	23.6	1.50	38.1	3.39	86	6.02	153	1/4-20UNC
1-1/2	40	1.50	38	4.53	115	0.93	23.6	1.50	38.1	3.46	88	6.61	168	1/4-20UNC
2	50	1.97	50	5.31	135	0.93	23.6	1.50	38.1	3.86	98	6.61	168	1/4-20UNC
2-1/2	65	2.56	65	6.54	166	1.38	35	2.17	55	5.20	132	10.43	265	1/4-20UNC
3	80	3.15	80	7.44	189	1.38	35	2.17	55	5.63	143	10.43	265	1/4-20UNC



Special Order Options: M – Tapped Mounting Pad V – Vented Ball F – Fire Safe Design S – Stainless Steel Body