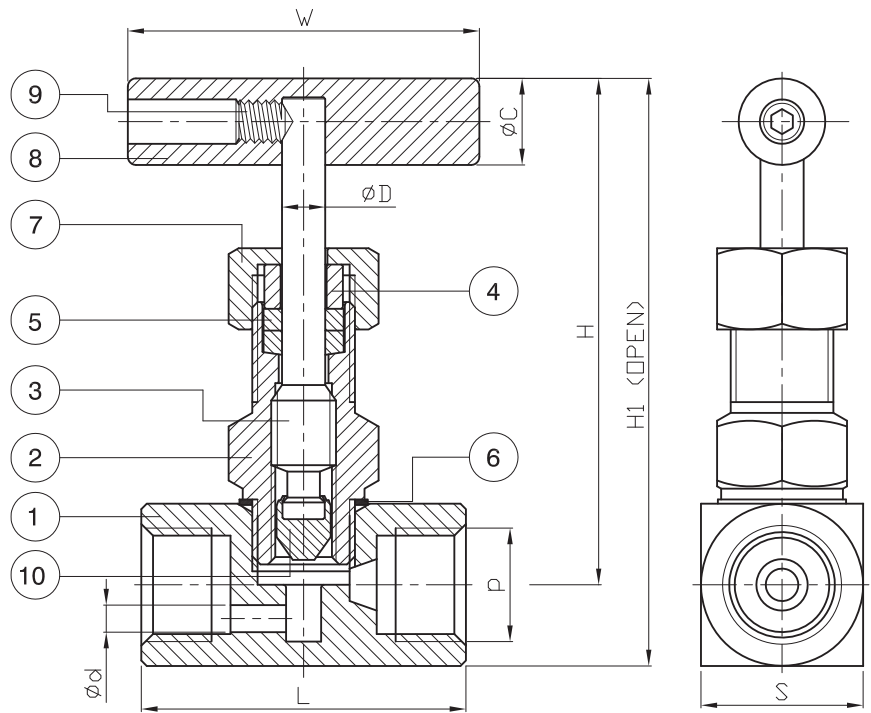


SMITH-COOPER[®]

INTERNATIONAL

SERIES S7166NV STAINLESS NEEDLE VALVE

• 6000 lb. WOG



No.	Part	Material
1	Body	316 Stainless Steel
2	Bonnet	316 Stainless Steel
3	Stem	316 Stainless Steel
4	Gland	316 Stainless Steel
5	Packing	PTFE
6	Body Seal	PTFE
7	Gland Nut	316 Stainless Steel
8	Handle	410 Stainless Steel
9	Fixing Screw	Alloy Steel
10	Disc	316 Stainless Steel

Size IN	Part Number	Weight LB	W IN	S IN	C IN	d IN	D IN	H1 IN	H IN	L IN	P IN	Cv IN
1/4	S7166NV002	1.0	2.36	0.87	0.51	0.12	0.28	3.23	2.56	1.77	1/4	0.4
3/8	S7166NV003	1.1	2.36	0.98	0.51	0.12	0.28	3.35	2.64	1.97	3/8	0.4
1/2	S7166NV004	1.6	2.56	1.18	0.63	0.16	0.31	4.21	3.39	2.36	1/2	0.75
3/4	S7166NV006	1.9	2.56	1.38	0.63	0.20	0.31	4.37	3.46	2.56	3/4	0.9
1	S7166NV010	3.1	3.15	1.81	0.75	0.28	0.39	5.12	3.94	3.27	1	1.8