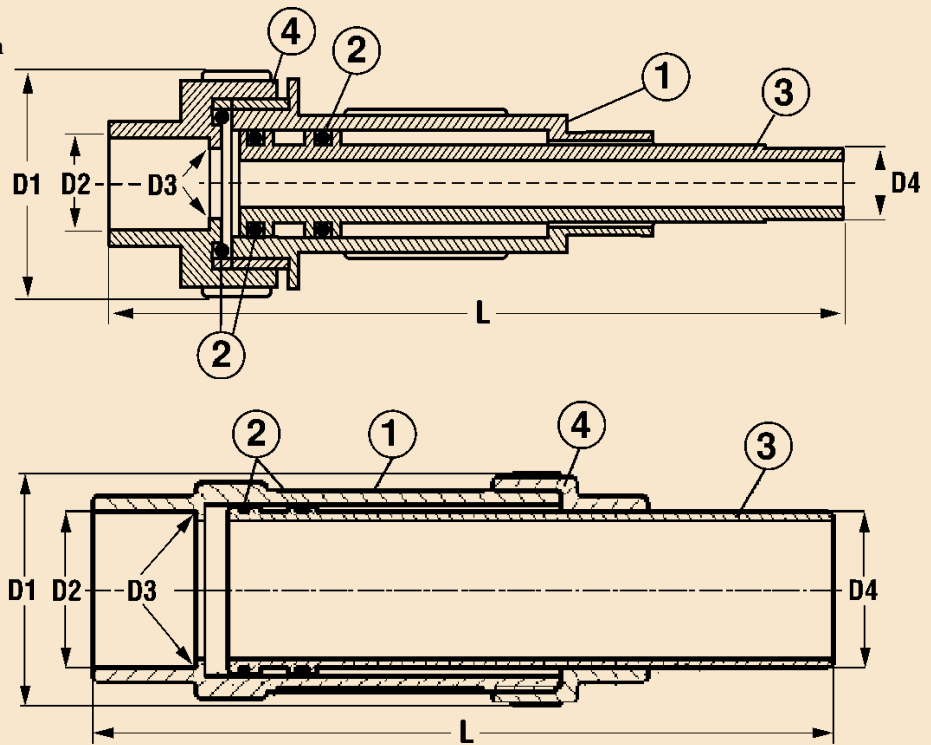


PLUMBING ACCESSORIES

PVC EXPANDABLE REPAIR COUPLING

- Certified to NSF/ANSI 14
- Manufactured Using Virgin PVC Resins
- Male Spigot Connection ASTM D1785
- 150 PSI @ 73 deg. F in All Positions
- Female Solvent Inlet ASTM D2466
- Double "O" Ring Plunger
- "O" Ring End Cap Seal (Except 2-1/2",3",4")
- Cold Water Use Only
- For use with Plastic Pipe
- Schedule 80 PVC

No.	Part	Materials Specification
①	Body	PVC
②	"O" Rings	NBR
③	Plunger	PVC
④	Nut	PVC



**294 5200 SERIES
PVC EXPANDABLE REPAIR COUPLING**

Size	Fig. #	Weight	Box/Case	L (min)	L (max)	D1	D2	D3	D4
1/2"	294 5200	0.33	1/90	6.66	8.74	1.89	0.85	0.84	0.84
3/4"	294 5412	0.45	1/60	7.56	9.85	2.13	1.06	1.04	1.05
1"	294 5414	0.76	1/40	8.71	11.34	2.60	1.33	1.31	1.32
1-1/4"	294 5416	1.10	1/30	9.77	12.56	2.99	1.67	1.65	1.66
1-1/2"	294 5418	1.32	1/20	9.85	12.81	3.23	1.91	1.89	1.90
2"	294 5420	1.81	1/16	11.81	14.38	3.70	2.39	2.37	2.38

Size	Fig. #	Weight	Box/Case	L (min)	L (max)	D1	D2	D3	D4
2-1/2"	294 5225	2.55	1/4	12.65	16.89	4.22	2.89	2.87	2.88
3"	294 5230	3.65	1/3	13.51	17.61	4.96	3.52	3.50	3.50
4"	294 5240	5.72	1/2	14.84	19.35	6.15	4.52	4.49	4.50

