

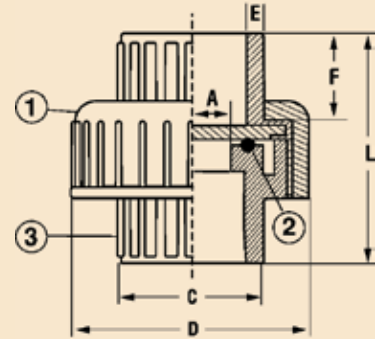
## PLUMBING ACCESSORIES

**293 8100 Series**

# PVC UNION

- Certified to NSF/ANSI 14
- Manufactured Using Virgin PVC Resins
- Schedul 80 PVC
- For use with Schedule 40 or Schedule 80 Pipe
- 150 PSI @ 75 deg. F
- PVC Socket Ends Comply with ASTM D2467
- Threaded Ends Comply with ASTM D2467 and F1498

No.	Part	Material Specifications
1	Body	PVC
2	"O" Ring	EPDM
3	Inlets	PVC



### 293 8121 SERIES (WHITE) PVC UNION, THREADED

Size	Part #	Weight	Box/Case	A	C	D	E	F	L
1/2"	293 8121G	0.17	25/200	0.59	1.20	2.17	0.16	0.88	2.21
3/4"	293 8121I	0.26	25/200	0.79	1.43	2.57	0.17	1.00	2.53
1"	293 8121K	0.37	25/200	0.99	1.73	2.89	0.19	1.13	2.84
1-1/4"	293 8121L	0.48	10/80	1.26	2.12	3.16	0.20	1.25	3.10
1-1/2"	293 8121M	0.65	10/80	1.58	2.38	3.66	0.21	1.38	3.43
2"	293 8121N	0.85	6/48	1.97	2.90	4.10	0.23	1.50	3.69



### 293 8122 SERIES (WHITE) PVC UNION, SLIP END

Size	Part #	Weight	Box/Case	A	C	D	E	F	L
1/2"	293 8122G	0.16	25/200	0.59	1.20	2.17	0.16	0.88	2.21
3/4"	293 8122I	0.25	25/200	0.79	1.43	2.57	0.17	1.00	2.53
1"	293 8122K	0.35	25/200	0.99	1.73	2.89	0.19	1.13	2.84
1-1/4"	293 8122L	0.44	10/80	1.26	2.12	3.16	0.20	1.25	3.10
1-1/2"	293 8122M	0.61	10/80	1.58	2.38	3.66	0.21	1.38	3.43
2"	293 8122N	0.80	6/48	1.97	2.90	4.10	0.23	1.50	3.69



### 293 8141 SERIES (GRAY) PVC UNION, THREADED

Size	Part #	Weight	Box/Case	A	C	D	E	F	L
1/2"	293 8141G	0.17	25/200	0.59	1.20	2.17	0.16	0.88	2.21
3/4"	293 8141I	0.26	25/200	0.79	1.43	2.57	0.17	1.00	2.53
1"	293 8141K	0.37	25/200	0.99	1.73	2.89	0.19	1.13	2.84
1-1/4"	293 8141L	0.48	10/80	1.26	2.12	3.16	0.20	1.25	3.10
1-1/2"	293 8141M	0.65	10/80	1.58	2.38	3.66	0.21	1.38	3.43
2"	293 8141N	0.85	6/48	1.97	2.90	4.10	0.23	1.50	3.69



### 293 8142 SERIES (GRAY) PVC UNION, SLIP END

Size	Part #	Weight	Box/Case	A	C	D	E	F	L
1/2"	293 8142G	0.16	25/200	0.59	1.20	2.17	0.16	0.88	2.21
3/4"	293 8142I	0.25	25/200	0.79	1.43	2.57	0.17	1.00	2.53
1"	293 8142K	0.35	25/200	0.99	1.73	2.89	0.19	1.13	2.84
1-1/4"	293 8142L	0.44	10/80	1.26	2.12	3.16	0.20	1.25	3.10
1-1/2"	293 8142M	0.61	10/80	1.58	2.38	3.66	0.21	1.38	3.43
2"	293 8142N	0.80	6/48	1.97	2.90	4.10	0.23	1.50	3.69

