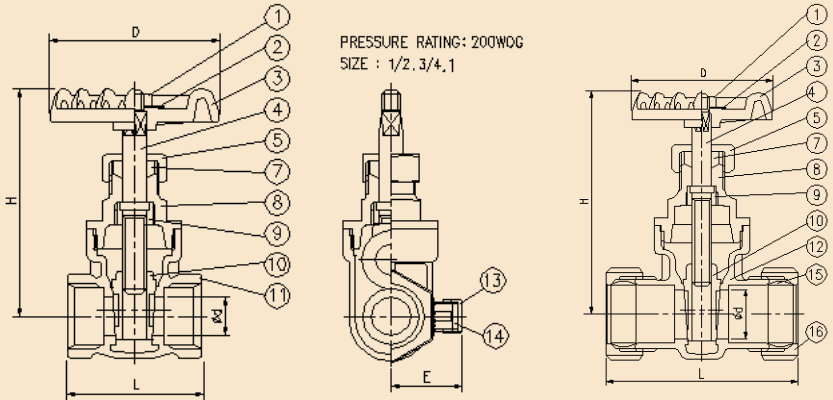


GATE VALVES

PREMIUM GATE VALVE WITH DRAIN/COMPRESSION ENDS

- ISO 9001 Manufacturer
- ANSI/NSF 61.8 Approved (Low Lead)
- Metal to Metal Bonnet/Body Seating Surfaces
- Non Rising Stem
- 200# WOG
- Cast Brass
- Solid Wedge Disc

| No. | Part | Materials Specification |
|-----|------------------|-------------------------------|
| ① | Handle Nut | Steel ASTM AISI-1010 |
| ② | Name Plate | Aluminum ASTM B209-1100 |
| ③ | Handwheel | Cast Iron ASTM A48 Class/No.3 |
| ④ | Stem | Brass ASTM B16-C36000 |
| ⑤ | Packing Nut | Brass ASTM B16-C36000 |
| ⑦ | Gland Packing | PTFE |
| ⑧ | Bonnet | Cast Brass ASTM B584-C85700 |
| ⑨ | Locknut | Brass ASTM B16-C36000 |
| ⑩ | Disc | Cast Brass ASTM B584-C85700 |
| ⑪ ⑫ | Body | Cast Brass ASTM B584-C85700 |
| ⑬ | Drain Cap Nut | Brass ASTM B16-C36000 |
| ⑭ | Drain Packing | Rubber NBR |
| ⑮ | Compression Ring | Brass Tube B135-C26000 |
| ⑯ | Compression Nut | Cast Brass ASTM B584-C85700 |



171 8103 SERIES

GATE VALVE WITH DRAIN, THREADED

| Size | Fig. # | Weight | Box/Case | L | H | D | E |
|------|-----------|--------|----------|------|------|------|------|
| 1/2" | 171 8103G | 0.72 | 10/120 | 1.69 | 2.84 | 2.13 | 0.91 |
| 3/4" | 171 8103I | 1.18 | 10/90 | 1.85 | 3.31 | 2.13 | 1.02 |
| 1" | 171 8103K | 1.26 | 5/60 | 2.13 | 3.86 | 2.40 | 1.14 |



171 8104 SERIES

GATE VALVE WITH DRAIN, SOLDER END

| Size | Fig. # | Weight | Box/Case | L | H | D | E |
|------|-----------|--------|----------|------|------|------|------|
| 1/2" | 171 8104G | 0.68 | 10/120 | 1.77 | 2.84 | 2.13 | 0.91 |
| 3/4" | 171 8104I | 0.93 | 10/90 | 2.32 | 3.31 | 2.13 | 1.02 |
| 1" | 171 8104K | 1.18 | 5/60 | 2.76 | 3.86 | 2.40 | 1.14 |



171 8130 SERIES

GATE VALVE COMPRESSION END

| Size | Fig. # | Weight | Box/Case | L | H | D | E |
|------|-----------|--------|----------|------|------|------|---|
| 1/2" | 171 8130G | 0.79 | 10/120 | 2.72 | 2.84 | 2.13 | |
| 3/4" | 171 8130I | 1.05 | 10/90 | 2.96 | 3.31 | 2.13 | |
| 1" | 171 8130K | 1.37 | 5/60 | 3.27 | 3.86 | 2.40 | |

