

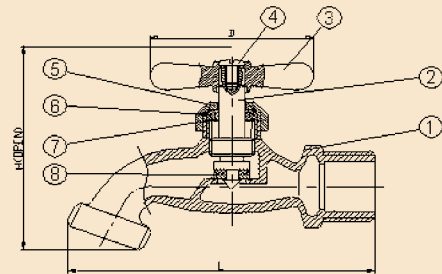
## BRASS VALVES

**190 160 Series  
190 170 Series**

# HOSE BIBB

- Cast Brass Body
- Male Threaded Inlet x Female Solder Inlet
- Pipe Threads Comply with ANSI B1.20.1
- 3/4" Hose Thread Outlet
- Hose Threads Comply with ANSI B1.20.7

No.	Part	Material Specifications
1	Body	Cast Brass ASTM B-584, C85700
2	Stem	Cast Brass ASTM B-584, C85700
3	Handle	Brass Plate Zinc
4	Screw	Brass ASTM B-134, C27000
5	Packing Nut	Brass ASTM B-124, C37700
6	Packing Washer	Rubber (NBR)
7	Washer	Stainless Steel 304
8	Bibb Washer	Rubber (NBR)



### 190 160 SERIES HOSE BIBB MIP\* X MHT

Size	Part #	Weight	Box/Case	L	D	H
1/2"	190 160 G	0.36	15/90	3.74	2.09	2.76
3/4"	190 160 I	0.41	15/90	3.74	2.09	2.76

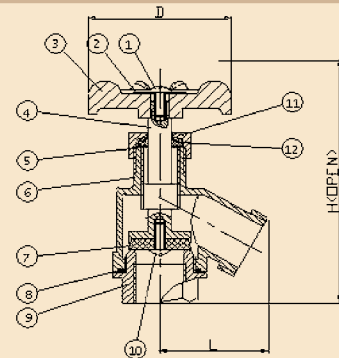


\*1/2" Male Threaded & 1/2" Fem. Solder

# GARDEN VALVE

- Cast Brass
- Female Threaded Inlet
- 3/4" Hose Threaded Outlet (1" Outlet on 190 170kk)
- Pipe Threads Comply with ANSI B1.20.1
- Hose Threads Comply with ANSI B1.20.7
- Replaceable Bibb Washer

No.	Part	Material Specifications
1	Screw	Brass ASTM B-134, C27000
2	Name Plate	Aluminum ASTM B209-1100
3	Oval Handle	Cast Iron ASTM A48 Class/NO35
4	Stem	Cast Brass ASTM B-584, C85700
5	Washer	Stainless Steel 304
6	Body	Cast Brass ASTM B-584, C85700
7	Bibb Washer	Rubber (NBR)
8	Washer	Plastic (PE)
9	Seat	Cast Brass ASTM B-584, C85700
10	Bibb Seat	Brass ASTM B-134, C27000
11	Packing Nut	Brass ASTM B-124, C377000
12	Packing Washer	Rubber (NBR)



### 190 170 SERIES BENT NOSE GARDEN VALVE FIP X MHT

Size	Part #	Weight	Box/Case	D	L	H
1/2"	190 170 G	0.59	12/72	2.15	1.50	3.90
3/4"	190 170 I	0.66	12/72	2.15	1.50	4.10
1"	190 170 K	0.66	12/72	2.15	1.50	4.10
1" X 1"	190 170 KK	0.70	12/72	2.15	1.50	4.00

