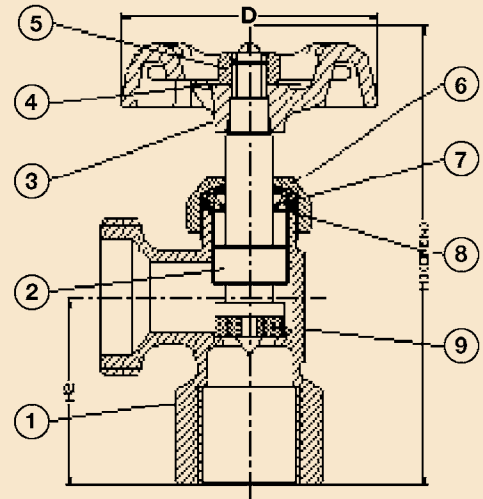


Brass Boiler Drains

Boiler Drain Valves

- Cast Brass
- Cast Iron Handle
- 3/4" Hose Thread Outlet
- Pipe Threads Comply with ANSI B1.20.1
- Hose Threads Comply with ANSI B1.20.7

No.	Part	Material Specifications
1	Body	Cast Brass ASTM B-584, C85700
2	Stem	Cast Brass ASTM B-584, C85700
3	Handle	Cast Iron ASTM A48 Class/NO. 35
4	Name Plate	Aluminum ASTM B209-1100
5	Packing Nut	Brass ASTM B-124, C37700
6	Packing Washer	Rubber (NBR)
7	Washer	Stainless Steel 304
8	Bibb Washer	Rubber (NBR)



190 100 SERIES FEMALE BOILER DRAIN (FIP X MHT)

Size	Part #	Weight	Box/Case	L	L1	D
1/2"	190 100 G	.42	12/72	3.23	1.34	2.00
3/4"	190 100 I	.47	12/72	3.23	1.34	2.00

190 101 SERIES MALE BOILER DRAIN (MIP X MHT)

Size	Part #	Weight	Box/Case	L	L1	D
1/2"	190 101 G	.39	15/90	3.23	1.34	2.00
3/4"	190 101 I	.42	15/90	3.23	1.34	2.00
1/2"	190 101XG*	.49	15/90	3.23	1.84	2.00

* 109 101XG, 1/2" Extended Shank Boiler Drain, CSA Listed

* Plastic Locknut included with 190 101XG

