

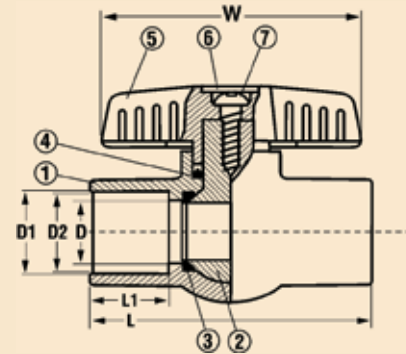
**293 9520 Series**  
**293 9540 Series**  
**293 6120 Series**

## BALL VALVES

### COMPACT PATTERN PVC/CPVC BALL VALVE - NSF APPROVED

- Approved and Listed to ANSI/NSF 14
- Manufactured Using Virgin PVC/CPVC Resins
- Schedule 80 PVC / CPVC
- ISO 9001 Manufacturer
- White Body with Blue Handle / (PVC)
- Cream Body with Red Handle / (CPVC)
- Molded in Place Construction
- Bolt on Handle Design

No.	Part	Material Specifications
1	Body	PVC / CPVC Temprite
2	Stem and Ball	PVC / CPVC Temprite
3	Seat Seal	PTFE / Teflon TFE M-32
4	"O" Ring	EPDM OSC EP-701
5	Handle	ABS
6	Cap	ABS
7	Bolt	Zinc Plated Steel



293 6122 SERIES									
CPVC BALL VALVE, SOCKET END									
Size	Part #	Weight	Box / Case	D	D1	D2	L	L1 (min)	W
1/2"	294 6122G	0.12	1/100	0.39	0.63	0.62	2.67	0.74	2.36
3/4"	294 6122I	0.21	1/100	0.57	0.88	0.87	3.27	0.92	2.76
1"	294 6122K	0.31	1/100	0.73	1.13	1.12	3.57	1.02	3.11



293 9521 SERIES (WHITE) & 293 9541 SERIES (GRAY)										
PVC BALL VALVE, THREADED END										
Size	White Part #	Gray Part #	Weight	Box / Case	D	D1	D2	L	L1 (min)	W
1/2"	293 9521G	293 9541G	0.19	1/80	0.57	0.84	0.84	3.04	0.88	2.76
3/4"	293 9521I	293 9541I	0.28	1/45	0.73	1.06	1.05	3.56	1.00	3.11
1"	293 9521K	293 9541K	0.50	1/25	0.94	1.33	1.31	4.22	1.13	3.90
1-1/4"	293 9521L	293 9541L	0.63	1/20	1.17	1.67	1.66	4.83	1.27	4.41
1-1/2"	293 9521M	293 9541M	0.85	1/14	1.33	1.91	1.90	5.13	1.34	4.41
2"	293 9521N	293 9541N	1.51	1/8	1.74	2.39	2.37	5.82	1.50	5.43
2-1/2"	293 9521P	-	2.86	1/12	2.36	2.89	2.87	8.03	1.81	7.01
3"	293 9521Q	-	3.96	1/12	3.03	3.52	3.49	9.02	1.86	8.82
4"	293 9521T	-	8.04	1/6	3.98	4.52	4.49	11.81	2.25	10.87



293 9522 SERIES (WHITE) & 293 9542 SERIES (GRAY)										
PVC BALL VALVE, SOCKET END										
Size	White Part #	Gray Part #	Weight	Box / Case	D	D1	D2	L	L1 (min)	W
1/2"	293 9522G	293 9542G	0.17	1/80	0.57	0.84	0.84	3.04	0.88	2.76
3/4"	293 9522I	293 9542I	0.26	1/45	0.73	1.06	1.05	3.56	1.00	3.11
1"	293 9522K	293 9542K	0.48	1/25	0.94	1.33	1.31	4.22	1.13	3.90
1-1/4"	293 9522L	293 9542L	0.63	1/20	1.17	1.67	1.66	4.83	1.27	4.41
1-1/2"	293 9522M	293 9542M	0.81	1/14	1.33	1.91	1.90	5.13	1.34	4.41
2"	293 9522N	293 9542N	1.45	1/8	1.74	2.39	2.37	5.82	1.50	5.43
2-1/2"	293 9522P	-	2.86	1/12	2.36	2.89	2.87	8.03	1.81	7.01
3"	293 9522Q	-	3.96	1/12	3.03	3.52	3.49	9.02	1.86	8.82
4"	293 9522T	-	8.04	1/6	3.98	4.52	4.49	11.81	2.25	10.87



Operating Temperature (F) 100 110 120 130 140  
Pressure Rating 235 211 150 75 50

Threaded Valves should not be used at temperatures above 110 deg. F