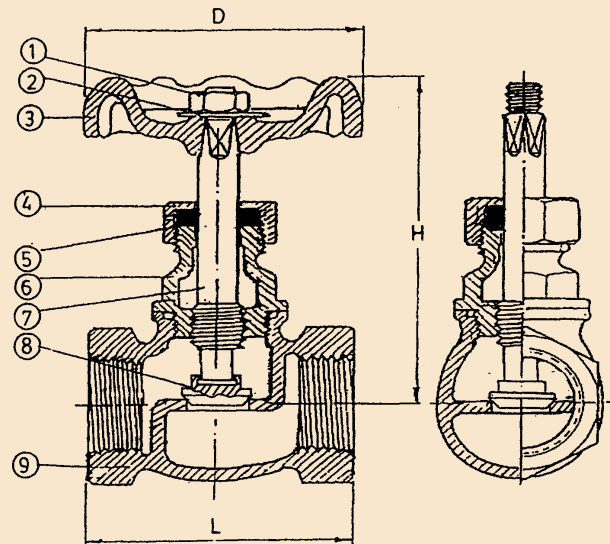


### GLOBE VALVES

# BRONZE GLOBE VALVES

- 200# WOG, 125# WSP
- 85/5/5/5 Bronze Body
- Hard Seat
- Brass Stem and Disc
- Conforms to MSS SP-80
- ISO 9001 Manufacturer

No.	Part	Material Specifications
1	Wheel Nut	Steel ASTM - AISI-1010
2	Name Plate	Aluminum, ASTM B209-1100
3	Handwheel	Cast Iron
4	Packing Nut	Brass B16 C36000
5	Gland Packing	Graphite
6	Bonnet	Brass B16 C36000(1/2" - 3/4") Bronze C83600 (1" - 2")
7	Stem	Brass B16 C36000 (1/2" - 1") Bronze C83600 (1-1/4" - 2")
8	Disc	Brass B16 C36000 (1/2" - 1") Bronze C83600 (1-1/4" - 2")
9	Body	Bronze B62 C83600



176 4101 SERIES BRONZE GLOBE VALVE, THREADED						
Size	Part #	Weight	Box/Case	L	H	D
3/8"	176 4101E	0.50	10/100	1.85	2.64	2.11
1/2"	176 4101G	0.52	14/84	1.88	2.64	2.11
3/4"	176 4101I	0.71	10/60	2.19	2.95	2.17
1"	176 4101K	1.11	5/30	2.52	3.38	2.74
1-1/4"	176 4101L	1.60	4/32	2.89	4.30	2.93
1-1/2"	176 4101M	2.30	6/24	3.28	5.08	3.28
2"	176 4101N	3.55	4/16	3.89	5.98	3.71

